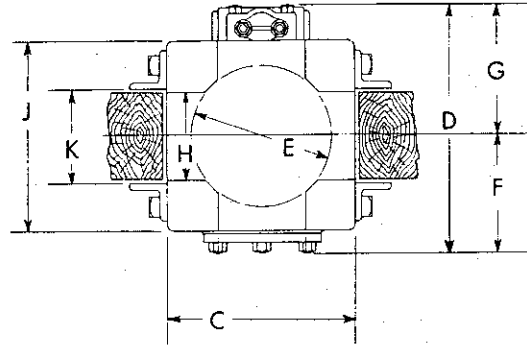
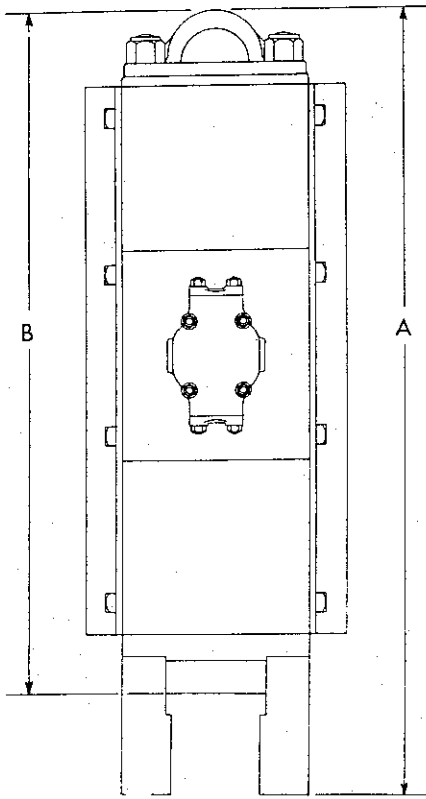


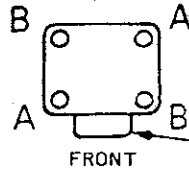
# HAMMER MODELS 5, 6 & 7 SPECIFICATIONS • DIMENSIONS • PARTS



DIMENSIONS (Inches)			
HAMMER MODEL	NO. 5	NO. 6	NO. 7
A	57	63 <sup>1</sup> / <sub>8</sub>	72 <sup>1</sup> / <sub>2</sub>
B	50 <sup>7</sup> / <sub>8</sub>	54 <sup>7</sup> / <sub>8</sub>	63
C	11	15	21
D	14 <sup>7</sup> / <sub>8</sub>	19 <sup>1</sup> / <sub>8</sub>	23 <sup>3</sup> / <sub>8</sub>
E	6	11 <sup>1</sup> / <sub>4</sub>	16
F	5 <sup>1</sup> / <sub>2</sub>	7 <sup>1</sup> / <sub>2</sub>	8 <sup>3</sup> / <sub>4</sub>
G	9 <sup>3</sup> / <sub>8</sub>	11 <sup>1</sup> / <sub>8</sub>	14 <sup>7</sup> / <sub>8</sub>
H	4 <sup>1</sup> / <sub>4</sub>	7	11
J	11	15	16
K	6	6 <sup>1</sup> / <sub>2</sub>	6 <sup>1</sup> / <sub>2</sub>

\*Front to back  
†Side to side

\* VIEW LOOKING ON TOP OF HAMMER  
NO. 2, 5 & 7 HAMMERS ONLY



A - TIE RODS ARE "LH"  
B - TIE RODS ARE "RH"  
VALVE CHEST ON FRONT  
OF HAMMER



RPI Equipment, LLC  
26 W Main Street  
Mount Ephraim, NJ 08059  
rpiequipment.com  
(856) 456-0081 • office  
(856) 742-1994 • fax

PART NAME	ITEM NO	MODEL NO. 5				MODEL NO. 6				MODEL NO. 7			
		NO. REQ'D	WGT. EACH	OLD PART NO.	NEW PART NO.	NO. REQ'D	WGT. EACH	OLD PART NO.	NEW PART NO.	NO. REQ'D	WGT. EACH	OLD PART NO.	NEW PART NO.
TOP HEAD	1	4	42	500	5500100	1	85	600	5800102	1	179	700	6000100
TIE ROD NUT	2	1	3	501	5500704	4	3	501	5500704	4	3	701	6000704
TIE ROD WASHER	3	4	1	502	5500800	4	1	602	5800800	4	1	702	6000800
TOP CYLINDER	4	1	320	SS503	5600200	1	550	603	5800200	1	963	SS703	6100201
MIDDLE CYLINDER	5	1	360	SS504	5600300	1	641	SS604	5900301	1	972	SS704	6100301
BOTTOM CYLINDER	6	1	248	SS505	5600400	1	546	SS605	5900400	1	919	SS705	6100400
BOTTOM HEAD	7	1	45		5500502	1	84		5800502	1	135	706	6000502
ANVIL BLOCK, FLAT	8	1	89	507	5500600	1	180	607	5800600	1	350	707	6000600
ANVIL BLOCK, CUP	9	1				1	185	608	6950003	1	375	708	6950006
TIE ROD	10	2	50	509	LH5500702	4	70	SS609	5900703	2	100	SS709	L/H 6000705
RAM	11	1	205	510	5500900	1	410	SS610	5900900	1	800	710	6000900
PISTON RING	12	2	1	511	5501001	2	2	611	5501005	2	2	711	5501009
CHEST COVER, SET SCR & NUT	13	2				2	1	612	9430259	2	2	712	9430258
CHEST COVER STUD, NUT & L'W.	13	4	#	512	5501207								
CHEST COVER	14	2	#	513	5501206	2	#	613	5801206	2	1	713	6001206
VALVE WASHER	15	2	#	514	5501204	2	#	614	5801204	2	#	714	6001204
VALVE BUFFER	16	2	#	515	5501205	2	#	615	5801205	2	#	715	6001205
VALVE	17	1	#	516	5501203	1	2	616	5801203	1	2	716	6001203
VALVE CHEST, BARE	18	1	25	517	5501201	1	27	617	5801201	1	60	717	6001201
CHEST STUD & NUT	19	4	1	518	5501300	4	1	618	5801300	4	1	718	6001300
DRIVING PLUG	20					1	#	620	9300352	1	#	720	6002200
DOWEL	21					2	#	621	5801100	2	#	621	5801100
VALVE CAGE	22	2	1	524	5501400	2	1	624	5801400	2	1	624	5801400
MOVABLE VALVE SEAT	23	2	#	525	5501500	2	#	625	5801500	2	#	625	5801500
SPRING	24	2	#	526	5501600	2	#	626	5801600	2	#	726	6001600
SPRING STOP	25	2	1	527	5501700	2	1	627	5801700	2	1	727	6001700
STEEL BALL	26	2	#	528	9370001	2	#	528	9370001	2	#	528	9370001
SET ANGLE IRON GUIDES	27	1	48	530	5501800	1	68	630	5801800	1	80	730	6001800
GUIDE CAPS C & L'W.	28	16	#	531	9010911								
GUIDE STUD, NUT & L'W.	29					12	1	631	5801900	16	1	731	6001900
GATE VALVE		1	3	532	9360005	1	3	532	9360005	1	6	732	9360008
STEAM LUBRICATOR		1	9	533	9360006	1	9	533	9360006	1	9	533	9360006
AIR LUBRICATOR		1	4	534	9360007	1	4	534	9360007	1	4	534	9360007
TIE ROD WRENCH		1	7	HX880	9280005	1	7	HX880	9280005	1	17	DX1112	9280006
SERVICE MANUAL													
PULLING RIG PARTS													
PULLING PLUG	35					1	1	619	5802100	1	1	719	6002100
CRANE CABLE, 1-1/8 DIA.	36	1	60	551	6960004	1	60	551	6960004	1	60	551	6960004
SADDLE BLOCK	37	1	60	552	6960005	1	112	652	6960006	1	140	752	6960007
RETAINING RING	38	1	5	553	6960008	1	14	653	6960009	1	18	753	6960010
PILE CABLE, 1-1/4 DIA.	39	1	60	554	6960011	1	162	654	9380003	1	162	654	9380003
CABLE CLAMPS (1-1/4")	40					8	2	655	9380004	8	2	655	9380004
PILE SLING BOLT	41	1	13	556	6960012								
NUT	42	1	2	556-1	9390001								
COTTER PIN	43	1	#	556-2	9040001								
PILE CLAMP	44	2	68	557	6960013	1	370	657	6960146	1	370	657	6960146
PILE PIN	45	1	11	E-221	3601700	2	11	E-221	3601700	2	11	E-221	3601700
COTTER PIN	46	2	#	E-221A	9040010	2	#	E-221A	9040010	2	#	E-221A	9040010
CABLE (1/4 DIA.)	47					1	1	662	9380005	1	1	662	9380005
CABLE CLAMP (1/4)	48					2	#	663	9380006	2	#	663	9380006
SPECIAL PARTS FOR (NON SELF STOPPING TYPE HAMMER)													
TOP CYLINDER	4	1	320	503	5500200					1	1017	703	6000201
MIDDLE CYLINDER	5	1	284	504	5500300	1	560	604	5800300	1	818	704	6000301
BOTTOM CYLINDER	6	1	248	505	5500400	1	600	605	5800400	1	1017	705	6000400
TIE ROD	10					4	71	609	5800702	4	100	709	LH6000702
RAM	11					1	405	610	5800900				RH6000703